

SNIPER

INTRODUCING THE SNIPER ADJUSTER

NO MORE COMPROMISE, INDEPENDENT CAMBER AND CASTER
INFINITE CAMBER ADJUSTMENT, 1 DEGREE CASTER INCREMENTS



MAX POSITIVE CAMBER
NEUTRAL CASTER



MAX NEGATIVE CAMBER
NEUTRAL CASTER

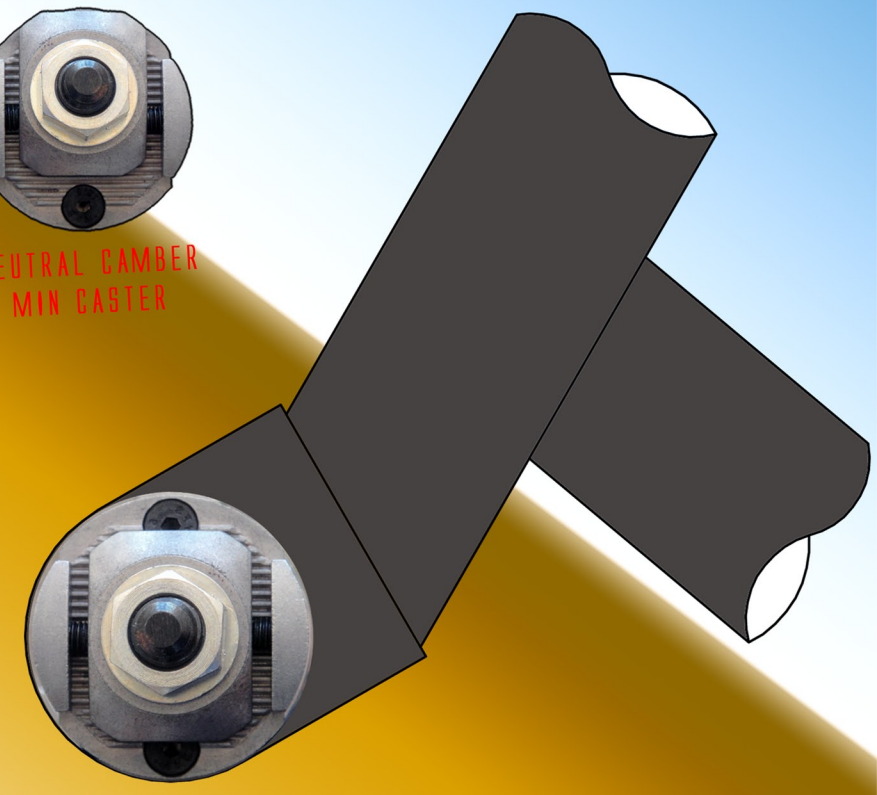
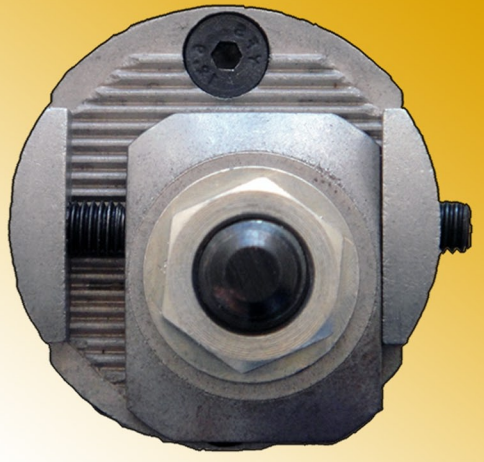


NEUTRAL CAMBER
MAX CASTER




NEUTRAL CAMBER
MIN CASTER

ANY SETTINGS INDEPENDENT
OF EACH OTHER ARE POSSIBLE!



NEUTRAL CAMBER/CASTER

AS USED BY ARNAUD KOZLINSKI AND 
TO WIN THE 2009 SKF WORLD CHAMPIONSHIP

